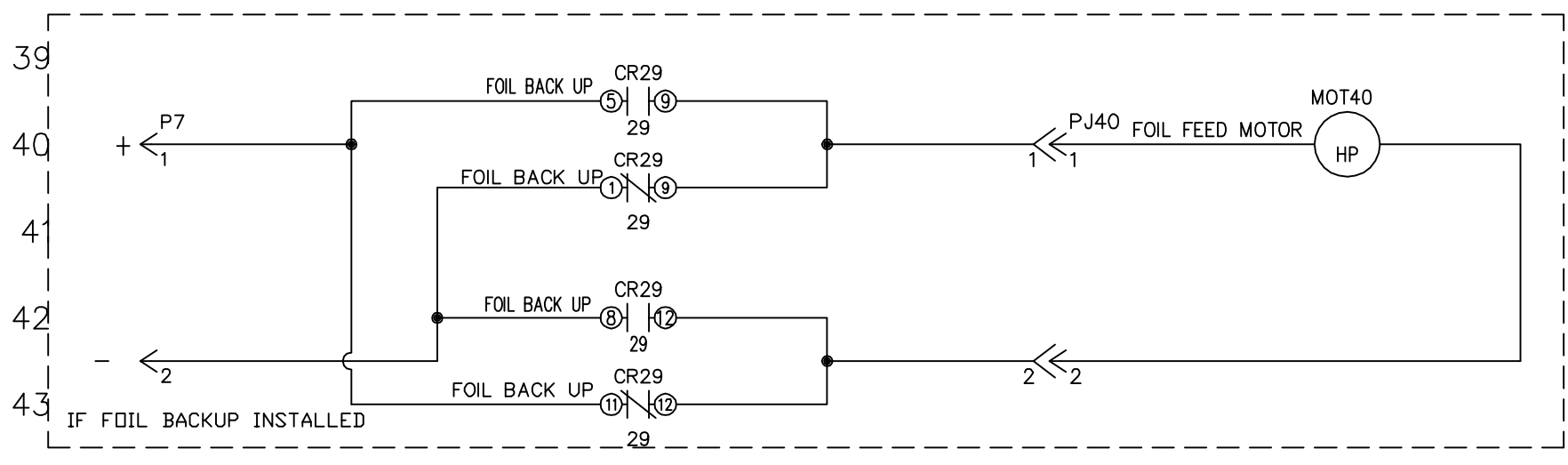
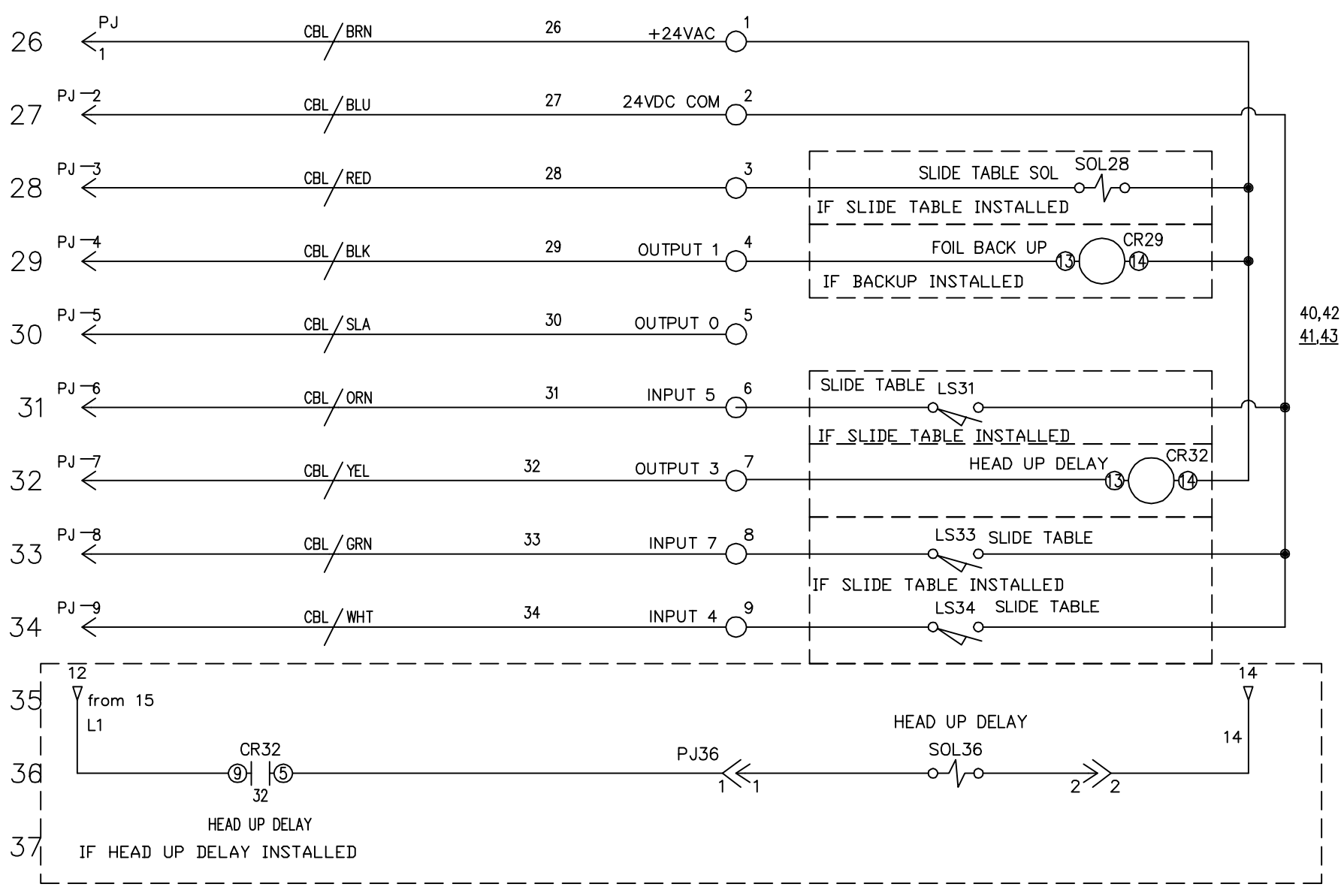


REV	DATE	CHANGE	TR NO.	REV BY.



44
45
46
47
48
49
50