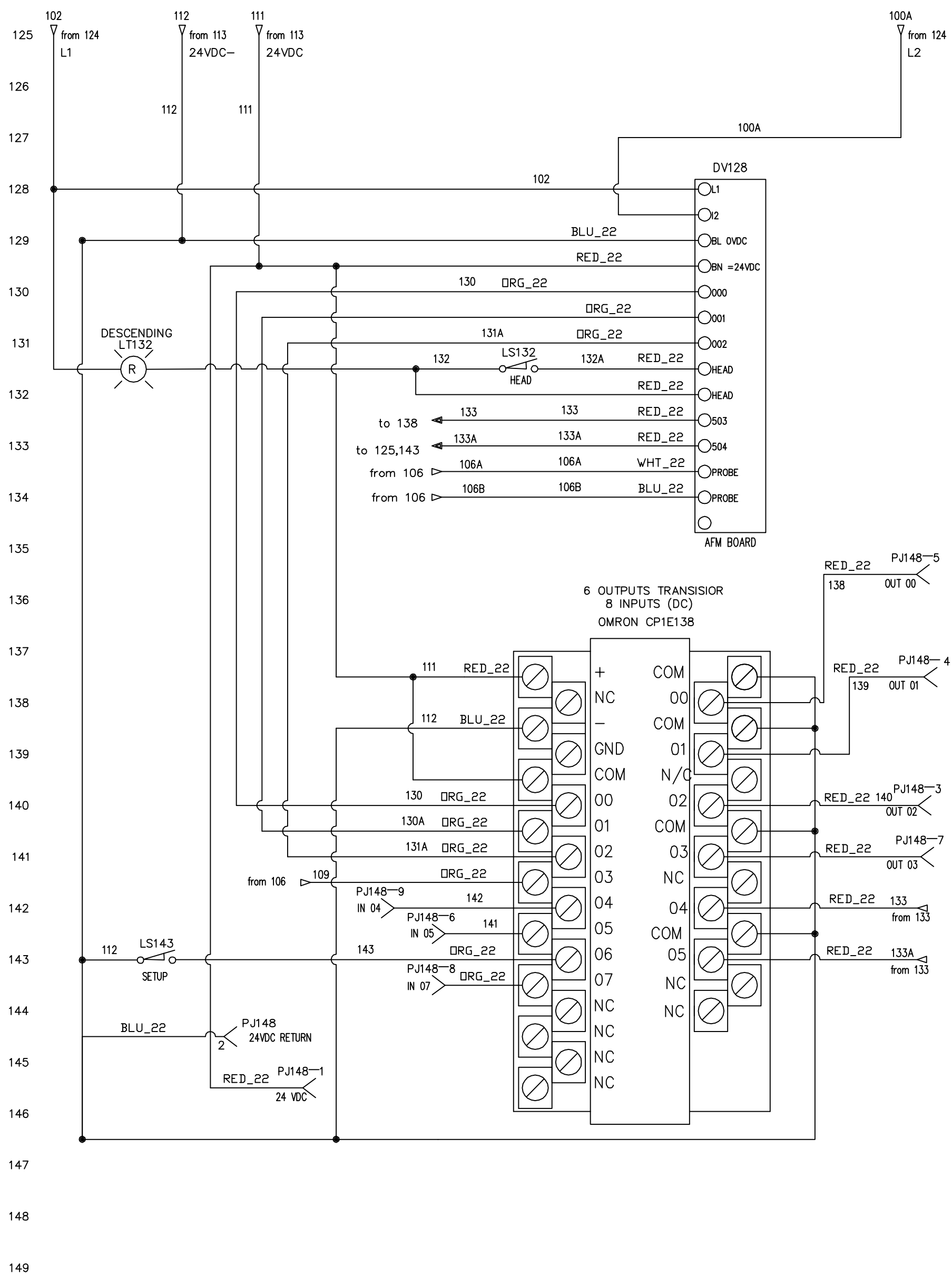


REV	DATE	CHANGE	TR NO.	REV BY.



S:\AFMMachines\19000 Hot Stamp Control Box\19000 Omron_Electrical_Drawings_with_Disconnect\19007 Omron_Control_Box_2014\19007-002.dwg



TITLE AFM ENGINEERING, INC.
19007 OMRON CONTROL BOX 2014

DRAWING NO. 19007-002 SHEET 2 OF 2

DESIGNED BY IRWIN
DRAWN BY IRWIN
CHECKED BY C.S.I.
APPROVED BY C.S.I.