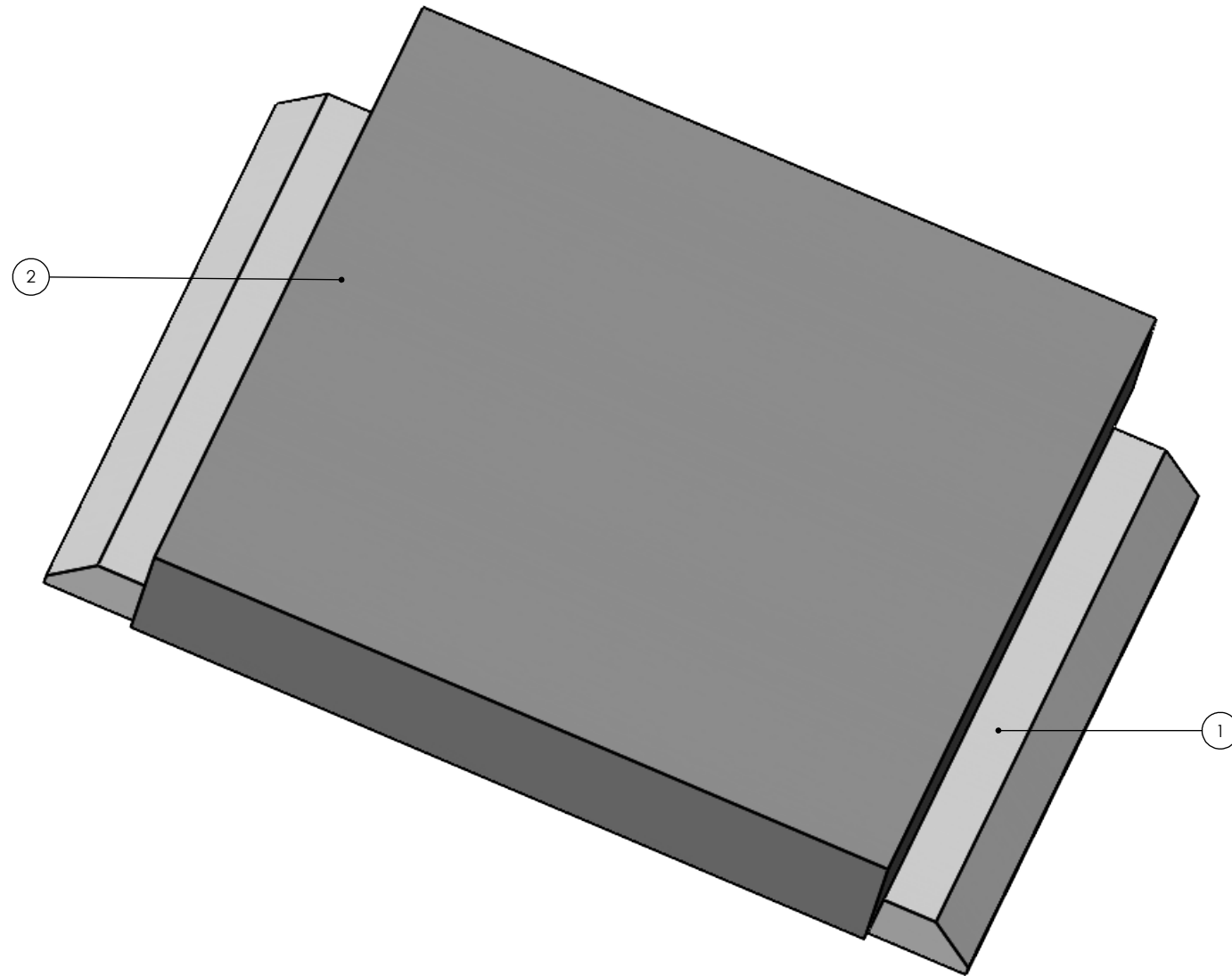


S:\AFMMachines\86000_Disc_Fixtures\86100_Die_Mounting\86110_7InchX7Inch_Die_Holder\

ITEM NO.	PART NUMBER	PartNo	DESCRIPTION	QTY.
1	002_7X7_Die_Holder_Dovetail59130	104645	7"X7" Die Mounting Dovetail	1
2	001_7X7_Die_Holder	104644	7"X7" Die Mounting Plate	1



PROPRIETARY AND CONFIDENTIAL
 THE INFORMATION CONTAINED IN THIS DRAWING IS THE SOLE PROPERTY OF AFM ENGINEERING, INC. ANY REPRODUCTION IN PART OR AS A WHOLE WITHOUT THE WRITTEN PERMISSION OF AFM ENGINEERING INC. IS PROHIBITED.

		DIMENSIONS ARE IN INCHES		NAME	DATE	AFM Engineering, Inc.
		TOLERANCES:		DRAWN	Irwin	
		FRACTIONAL ±		CHECKED	Irwin	-
		ANGULAR: MACH ± BEND ±		ENG APPR.		
		TWO PLACE DECIMAL ± .010		MFG APPR.		
		THREE PLACE DECIMAL ± .005		Q.A.		
		MATERIAL		COMMENTS:		AFM Engineering, Inc. Golf Disc Die Mounting 7"X7" Die Mounting AFM PART # 104646
NEXT ASSY	USED ON	FINISH				
APPLICATION		DO NOT SCALE DRAWING				SIZE DWG. NO. B 861100-000_7InchX7Inch_Die_Holder
						SCALE: 1:2 WEIGHT: 7.239 SHEET 1 OF 1