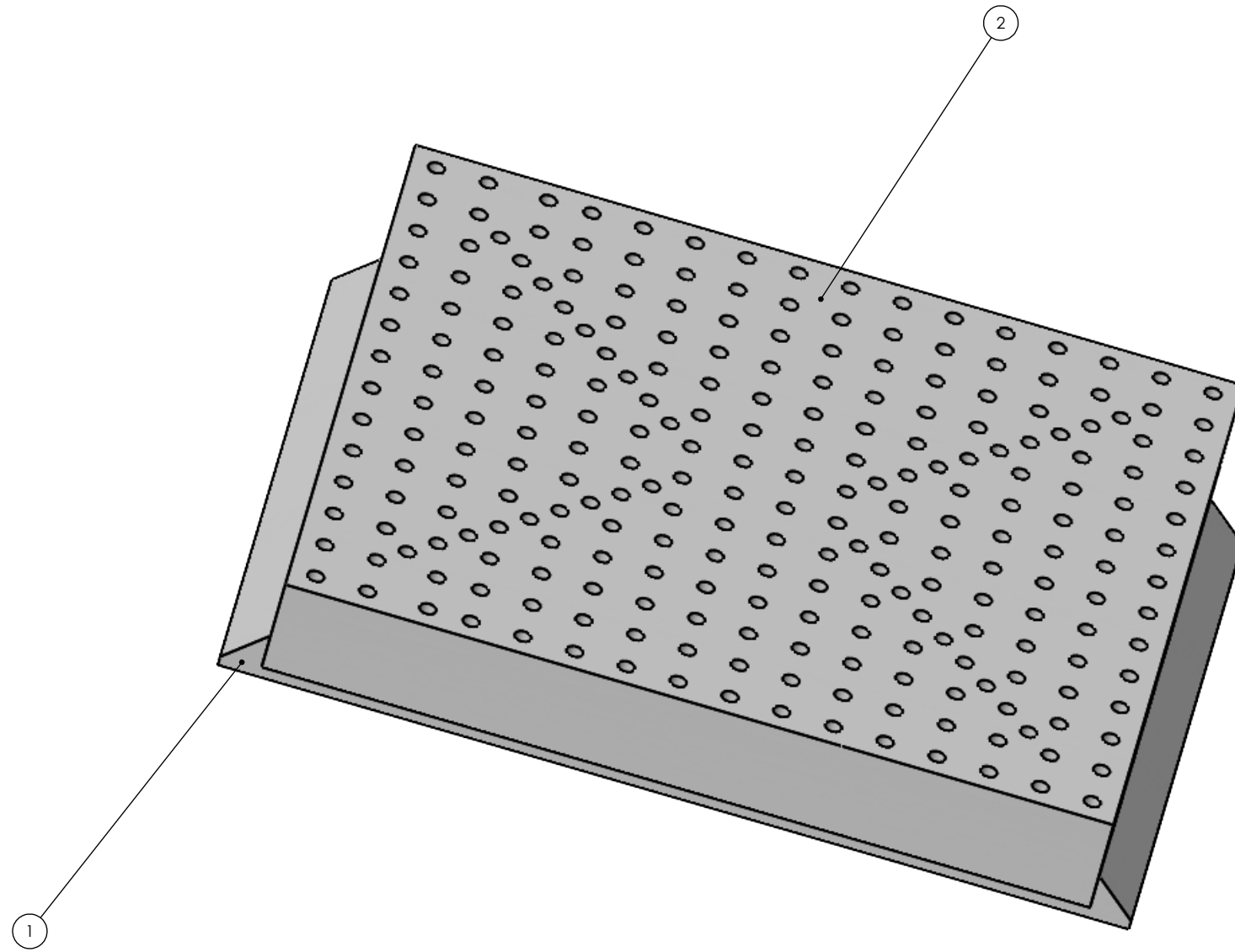


S:\AFMMachines\86000\_Disc\_Fixtures\86100\_Die\_Mounting\86140\_7X8\_Die\_Holder\_Front\_Side\

ITEM NO.	PART NUMBER	Partno	DESCRIPTION	QTY.
1	001_86140_7X8_Dovetail	103119	Dovetail 6 X 8	1
2	003_7X8_Die_Holder_With_Holes	103615	6X8 Dovetail Drilled Template	1



		DIMENSIONS ARE IN INCHES		NAME	DATE	AFM Engineering, Inc.
		TOLERANCES:		IRWIN	-	
		FRACTIONAL ±		CHECKED	IRWIN	AFM Engineering, Inc. Gold Disc Die Holders 7"X8" Due Holder with Drill Pattern AFM PART # 105182
		ANGULAR: MACH ± BEND ±		ENG APPR.		
		TWO PLACE DECIMAL ± .010		MFG APPR.		
		THREE PLACE DECIMAL ± .005		Q.A.		
		MATERIAL		COMMENTS:		SIZE DWG. NO. <b>B</b> 000_86140_7X8_Die_Holder_With_Holes REV.
NEXT ASSY	USED ON	FINISH				
APPLICATION		DO NOT SCALE DRAWING		SCALE: 1:2 WEIGHT: 7.444 SHEET 1 OF 1		

**PROPRIETARY AND CONFIDENTIAL**  
 THE INFORMATION CONTAINED IN THIS DRAWING IS THE SOLE PROPERTY OF AFM ENGINEERING, INC. ANY REPRODUCTION IN PART OR AS A WHOLE WITHOUT THE WRITTEN PERMISSION OF AFM ENGINEERING INC. IS PROHIBITED.