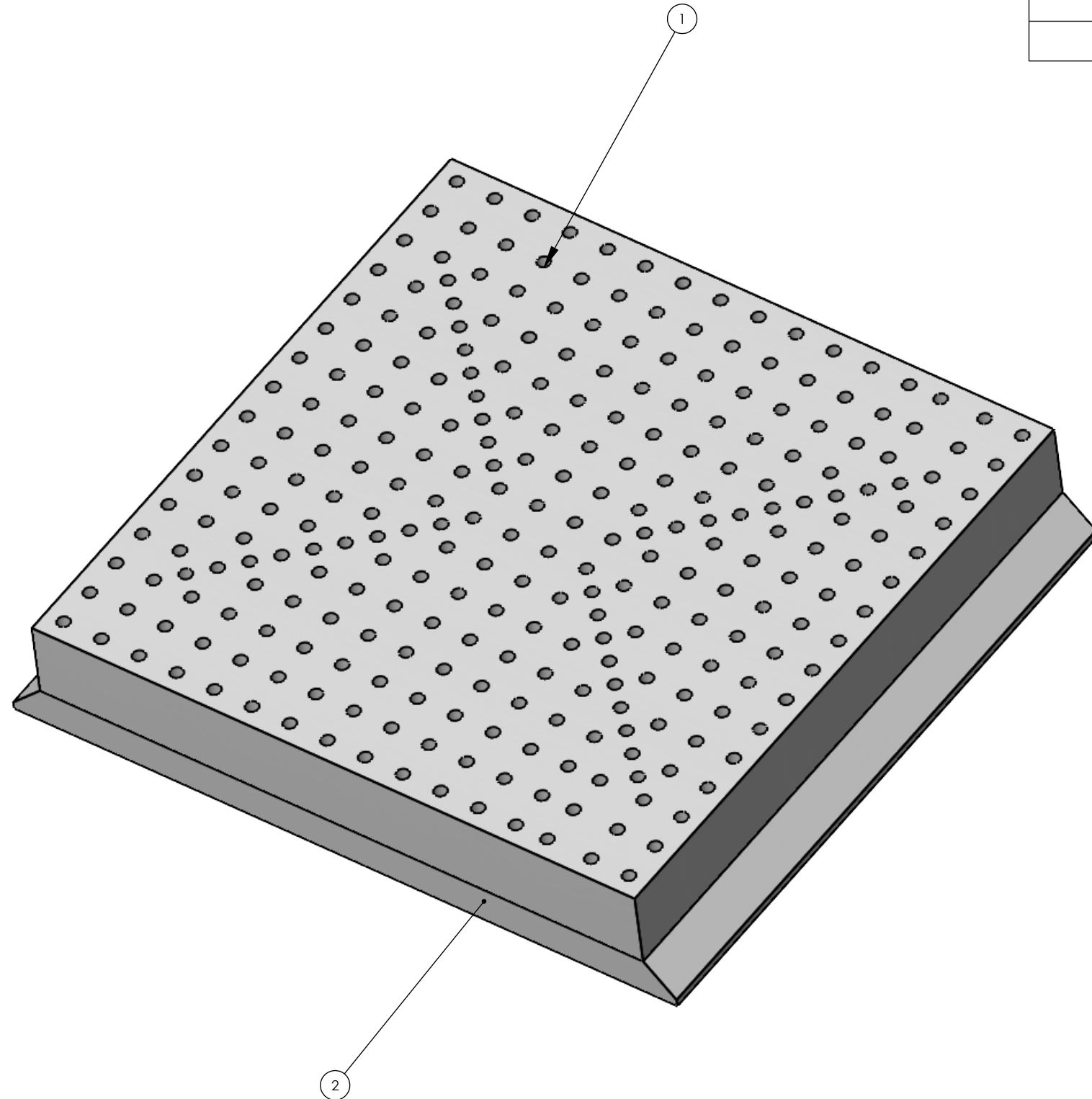


S:\AFMMachines\86000\_Disc\_Fixtures\86100\_Die\_Mounting\86190\_8X8\_Die\_Holder\_Front\_Side\

ITEM NO.	PART NUMBER	Partno	DESCRIPTION	QTY.
1	003_86190_8X8_Die_Holder_With_Holes	103615	7X8 Hot Plate Chase Drilled Template	1
2	002_86190_8X8_Dovetail	104949	Dovetail 8 X 8	1



**PROPRIETARY AND CONFIDENTIAL**  
 THE INFORMATION CONTAINED IN THIS DRAWING IS THE SOLE PROPERTY OF AFM ENGINEERING, INC. ANY REPRODUCTION IN PART OR AS A WHOLE WITHOUT THE WRITTEN PERMISSION OF AFM ENGINEERING INC. IS PROHIBITED.

		DIMENSIONS ARE IN INCHES		NAME		DATE	
		TOLERANCES:		DRAWN		7/30/2023	
		FRACTIONAL ±		CHECKED		7/30/2023	
		ANGULAR: MACH ± BEND ±		ENG APPR.			
		TWO PLACE DECIMAL ± .010		MFG APPR.			
		THREE PLACE DECIMAL ± .005		Q.A.			
		MATERIAL		COMMENTS:			
NEXT ASSY	USED ON	FINISH					
APPLICATION		DO NOT SCALE DRAWING					
<b>AFM Engineering, Inc.</b>							
<b>AFM Engineering, Inc. Golf Disc Printing Die Holders 8"X8" Die Block Assembly with holes AFM PART # 105184</b>							
SIZE	DWG. NO.				REV.		
<b>B</b>	000_86190_Dovetail_with_Hot_Plate_Drilled						
SCALE: 1:2				WEIGHT: 9.135		SHEET 1 OF 1	