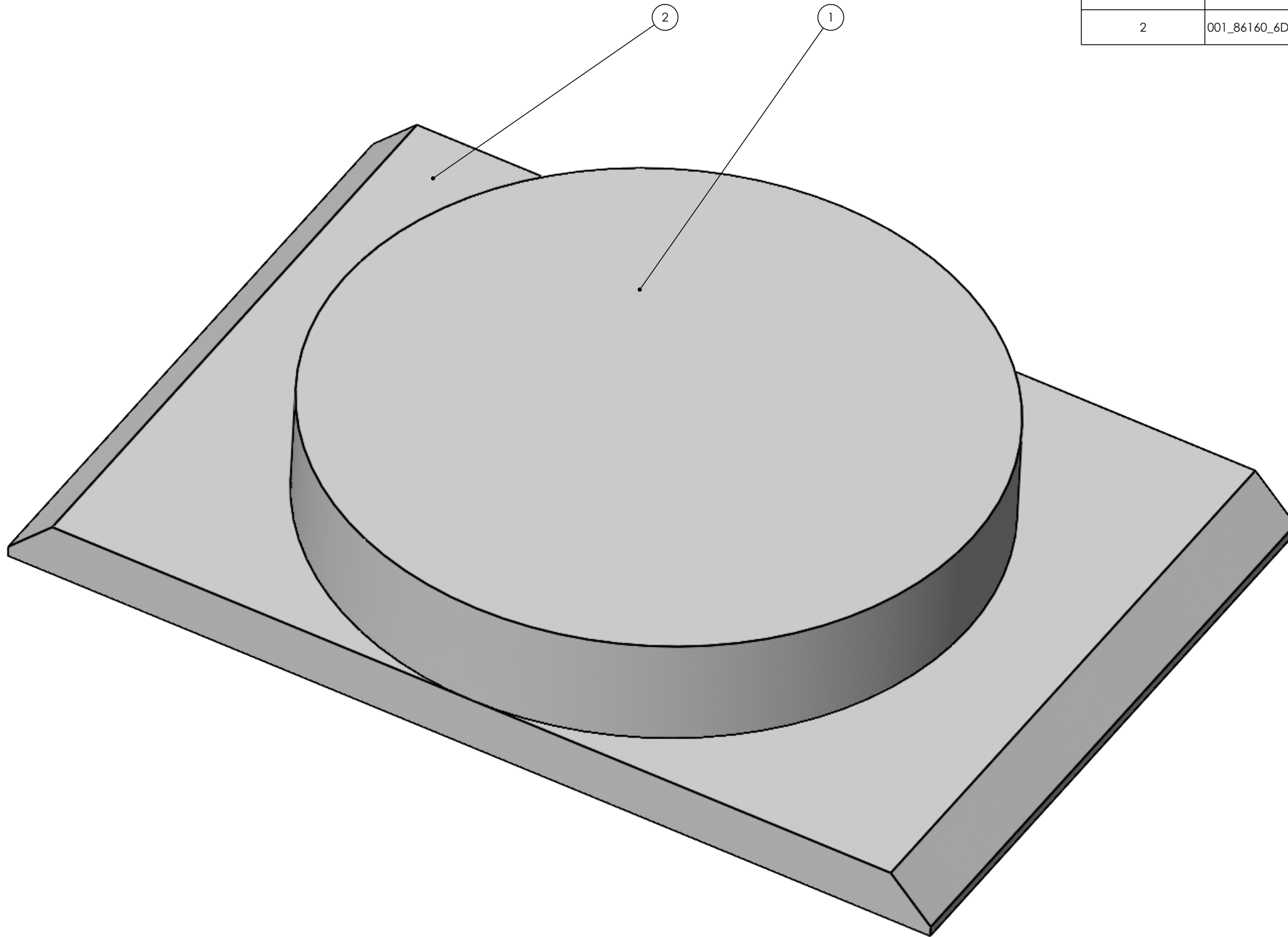


S:\AFMMachines\86000\_Disc\_Fixtures\86100\_Die\_Mounting\86160-6Dia\_Die\_Holder\_with\_Holes\

ITEM NO.	PART NUMBER	Partno	DESCRIPTION	QTY.
1	002_86160_6Dia_Die_Holder_No_Holes	103615	6X8 Dovetail Drilled Template	1
2	001_86160_6Dia_Die_Holder_With_Holes	103119	Dovetail 6 X 8	1



**PROPRIETARY AND CONFIDENTIAL**  
 THE INFORMATION CONTAINED IN THIS DRAWING IS THE SOLE PROPERTY OF AFM ENGINEERING, INC. ANY REPRODUCTION IN PART OR AS A WHOLE WITHOUT THE WRITTEN PERMISSION OF AFM ENGINEERING INC. IS PROHIBITED.

		DIMENSIONS ARE IN INCHES		NAME		DATE	
		TOLERANCES:		DRAWN		-	
		FRACTIONAL ±		CHECKED		7/30/2023	
		ANGULAR: MACH ± BEND ±		ENG APPR.			
		TWO PLACE DECIMAL ± .010		MFG APPR.			
		THREE PLACE DECIMAL ± .005		Q.A.			
		MATERIAL		COMMENTS:			
NEXT ASSY	USED ON	FINISH					
APPLICATION		DO NOT SCALE DRAWING					
						AFM Engineering, Inc.	
						AFM Engineering, Inc. Golf Disc Printing Die Mounts 6" Dia Die Mounting Block AFM PART # 105187	
SIZE	DWG. NO.				REV.		
B	000_86160-6Dia_Die_Holder_No_Holes						
SCALE: 1:2		WEIGHT: 5.212		SHEET 1 OF 1			